

Key Specifications

- Full featured Wi-Fi 6E, 12 Stream AP
- Tri-band access radios: 4x4:4 6GHz + 4x4:4 5GHz + 4x4:4 2.4GHz
- Up to 1.2 Gbps throughput for 2.4GHz radio and up to 4.8 Gbps throughput for 5GHz and 6GHz radios
- Software-defined access radio configuration: 2.4GHz + 5GHz + 6GHz or 2.4GHz + Low 5GHz + High 5GHz
- 2x2 tri-band multi-function radio for security, network assurance and troubleshooting
- Integrated omni directional antennas
- 20/40/80/80+80/160 MHz channel width support
- Support for MU-MIMO and OFDMA
- 2x10 Gigabit Ethernet PoE ports
- 802.3bt PoE for full functionality and 802.3at with reduced function
- Wall and ceiling mounting options
- Integrated IoT radio (BLE/Zigbee)

Key Features

- Distributed Data Plane architecture
- Zero-touch deployment through automatic cloud activation and configuration
- Cloud or on-premises management plane options
- Operating modes for dedicated access, dedicated security or dual mode
- AI/ML driven diagnostics and troubleshooting
- Integrated firewall, traffic shaping, QoS and BYOD controls per SSID
- Dynamic RF optimization through smart steering, band steering and power control
- Application visibility through layer 7 deep packet inspection
- Automated device access logging
- Patented Marker Packet™ technology for rogue AP detection and classification
- Wired VLAN monitoring for “No-WiFi” zone enforcement
- Third party analytics integration with real-time data transfer
- Versatile multi-function radio for WIPS, Scanning and Client Connectivity Tests

High capacity, High performance and Investment protection

Arista C-360 is a high-end Wi-Fi 6E enterprise grade access point featuring concurrent 6GHz, 5GHz and 2.4GHz 4 stream 802.11ax operation, integrated BLE/Zigbee IoT support and an additional multi-function, tri-band radio to provide security, network assurance and enabled and AI/ML driven troubleshooting.

C-360 Capabilities

C-360 Wi-Fi 6E access point provides the highest capacity, best spectrum utilization and flexibility to deliver industry leading user experience in high density environments that require best performance and security. Utilizing the latest technologies, Uplink/ Downlink OFDMA, Uplink/Downlink MU-MIMO coupled with 4 spatial streams in all operating bands, the C-360 delivers truly unmatched performance even in the most challenging environments. C-360 is also designed for worldwide operation and investment protection. It also allows dual-5GHz mode where the 6GHz radio is reconfigured to operate in the upper part of the 5GHz band while the 5GHz radio operates in the lower part of the 5GHz band. C-360 is ideal for critical, high-density networks serving a high volume of diverse clients and applications. Common deployment scenarios include large enterprises with national and international locations, university campuses and large healthcare and hospital premises.

Arista CloudVision® Managed Wi-Fi

The C-360 is an Arista CloudVision Wi-Fi managed platform. Available as a cloud service or on-premises management platform, CloudVision Wi-Fi leverages a purpose built cloud architecture delivering cloud grade analytics and automation to enterprise Wi-Fi networks. CloudVision ensures high reliability, scalability, security and cost effectiveness.

Versatile, multifunction Radio

C-360 includes a multipurpose, 2x2:2 tri-band 802.11ax radio that provides:

- Industry leading, continuous WIPS
- Better RRM decisions from continuous spectral visibility
- Network availability and performance assurance by on-demand and scheduled client connectivity test



Arista C-360

Access

C-360 is a building block of a self-driving Wi-Fi network, powering AI/ML based continued adaptations, saving time and resources resulting in significant cost savings and increased satisfaction.

- Plug and play provisioning using either Cloud or On-premises deployments - Arista Access Points take less than two minutes to activate and configure after connecting to the cloud
- Network controls like NAT, Firewall and QoS implemented at the Access Point, ensuring faster and more reliable networks
- Continuous scanning of all 2.4GHz, 5GHz and 6GHz channels by a dedicated 2x2 multi-function radio provides a dynamic, 360-degree view of the RF environment to assist in RF optimization and client handling
- Network availability and performance assurance using the multi-function third radio as a client to conduct on-demand and scheduled connectivity and performance tests
- Smart steering addresses sticky client issues by automatically pushing clients with low data rates to a better access point
- Band steering manages channel occupancy, pushing clients to the 5GHz and 6GHz channels for optimal throughput
- Smart load balancing distributes load evenly across neighbouring APs to optimize the use of network resources
- Arista Wi-Fi's distributed data plane architecture continues to serve users and secure the network even if connection with the management plane is interrupted
- Interference avoidance from LTE/3G small/macro cells in commonly used TDD/FDD frequency bands

Security


C-360 offers complete visibility and control of the wireless airspace ensuring network integrity while actively protecting users without manual intervention.




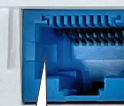


- C-360 is equipped with industry leading fully integrated wireless intrusion prevention capabilities
- Multi-function radio provides uninterrupted spectrum scanning or client emulation for always on security coverage alongside dedicated 2.4GHz, 5GHz and 6GHz access radios
- Arista's patented Marker Packets™ help accurately detect rogue access points on any network while minimizing false positives
- Multifunction radio used as a dedicated security sensor for 24x7x365 scanning and automated over-the-air (OTA) prevention
- Deterministic rogue AP detection and prevention by monitoring all Wi-Fi and non-Wi-Fi VLANs
- OTA and on-the-wire prevention techniques assure automatic and reliable threat prevention to keep unauthorized clients and rogue APs off the network without impacting authorized connections
- Access Points autonomously scan for wireless threats and enforce security policy even if disconnected from the cloud management plane
- VLAN monitoring enables a virtual connection to non-Wi-Fi networks for complete network rogue detection and prevention

Analytics

C-360 provides real-time telemetry by granular state streaming and Cognitive Analytics provides correlation analysis and trend analysis using predictive algorithms across wireless and wired networks. Compliance and Risk analysis is supported by continuous assessment and report of deviations.

Physical Specifications

	Property	Specification
	Physical Dimensions	230mm x 230mm x 42.5mm/9.1" X 9.1" X 1.67"
	Weight	1.45kg / 3.2 lb
	Operating Temperature	0°C ~ +45°C (+32°F ~ +113°F)
	Storage Temperature	-40°C ~ +70°C (-40°F ~ +158°F)
	MTBF	201,653 @ 25 °C 83,308 @ 45 °C
	Humidity	0-95% non-condensing
	Power consumption	39 W (max)
	Processor and RAM	1 GB x 2 RAM and 1 GB Flash
	Physical security	Kensington lock slot

Port	Description	Connector Type	Speed/Protocol
 Power	12V DC	5.5mm overall diameter / 2.1mm center pin hole	N/A
 LAN1	10 GbE, 802.3bt compliant PoE, MACsec capable*	RJ-45	100M/1G/2.5G/5G/10G Ethernet
 LAN2	10 GbE, 802.3bt compliant PoE, MACsec capable*	RJ-45	100M/1G/2.5G/5G/10G Ethernet
 Console	Establish 'config shell' terminal session via serial connection	RJ-45	RS232 Serial (115200 bps) Data bits:8; Stop bits: 1 Parity: None Flow Control: None
 USB	USB 3.0 port	USB Type-A	Future use
 Reset	Reset to factory default settings port	Pin hole push button	Hold down and power cycle the device to reset

* MACsec capabilities will be activated via a future software update.

Operational Specifications

Input Power	12V DC (5.5mm overall diameter/2.1mm center pin hole) 802.3bt power - Full function 802.3at power - Reduced function
Number of Radios	3 access radios; 4x4:4 2.4GHz, 4x4:4 5GHz and 4x4:4 6GHz radio for simultaneous tri-band access. 1 multi-function 2x2 radio for continuous WIPS and client connectivity tests 1 IoT radio (BLE/ZigBee)
Number of Spatial Streams	4 each per access radio, 2 for multipurpose radio
RF Transmit Power	27dBm on 5GHz radio, 28 dBm on 6GHz and 29dBm on 2.4GHz radio (max) ²
80+80MHz Non-Contiguous Channel Bonding	Yes
Bandwidth Agility	Yes
3G/4G Macro and Small Cells Interference Mitigation	Yes
Frequency Bands	2.4-2.4835 GHz, 5.15-5.25 GHz; (UNII-1), 5.25-5.35 GHz, 5.47-5.6 GHz, 5.650-5.725 GHz (UNII-2), 5.725-5.85 GHz (UNII-3), 5.925 GHz – 6.425 GHz (UNII-5), 6.425 GHz - 6.525 GHz (UNII-6), 6.525 GHz – 6.875 GHz (UNII-7), 6.875GHz - 7.125 GHz (UNII-8)
Dynamic Frequency Selection	Supported in compliance to all latest amendments from FCC, CE, IC, CB, TELEC, KCC regarding certifications.

Wi-Fi Specifications

IEEE 802.11ax			
Frequency Band	Scanning	Transmission	
	All regions	USA & Canada (FCC/IC)	Europe (ETSI)
6GHz	5.925 GHz – 6.425 GHz 6.425 GHz - 6.525 GHz 6.525 GHz – 6.875 GHz 6.875GHz - 7.125 GHz	5.925 GHz – 6.425 GHz 6.425 GHz - 6.525 GHz 6.525 GHz – 6.875 GHz 6.875GHz - 7.125 GHz	5.925 GHz – 6.425 GHz
Modulation Type	OFDM / OFDMA		
Peak Data Rate	4.8Gbps		
Antenna	Integrated modular high efficiency PIFA antenna x8 (peak gain: 6.3 dBi)		

IEEE 802.11a/n/ac/ax			
Frequency Band	Scanning	Transmission	
	All regions	USA & Canada (FCC/IC)	Europe (ETSI)
5GHz	5.15 - 5.25 GHz 5.25 - 5.35 GHz 5.47 - 5.725 GHz 5.725 - 5.825 GHz	5.15 - 5.25 GHz 5.25 - 5.35 GHz 5.725 - 5.825 GHz	5.15 - 5.25 GHz 5.25 - 5.35 GHz 5.47 - 5.725 GHz
Modulation Type	DSSS / OFDM / OFDMA		
Peak Data Rate	4.8 Gbps		
Antenna	Integrated modular high efficiency PIFA antenna x8 (peak gain: 6.3 dBi)		

IEEE 802.11b/g/n/ax			
Frequency Band	Scanning	Transmission	
	All regions	USA & Canada (FCC/IC)	Europe (ETSI)
2.4GHz	2.4 – 2.4835 GHz	2.4 – 2.4735 GHz	2.4 – 2.4835 GHz
Modulation Type	DSSS / OFDM / OFDMA		
Peak Data Rate	1.2 Gbps		
Antenna	Integrated modular high efficiency PIFA antenna x4 (peak gain: 4.2 dBi)		

¹ Total conducted output power across all Tx chains.

² Actual power for Tx will depend on Country Regulatory Domain

Receive Sensitivity

For 6GHz

Mode	Rate	Sensitivity (dBm)
11ax_HE20	MCS 0	-93
	MCS 11	-66
11ax_HE40	MCS 0	-90
	MCS 11	-63
11ax_HE80	MCS 0	-87
	MCS 11	-60
11ax_HE160	MCS 0	-84
	MCS 11	-56

For 2.4GHz

Mode	Rate	Sensitivity (dBm)
802.11b	1 Mbps	-100
	11 Mbps	-92
802.11g	6 Mbps	-94
	54 Mbps	-78
11n_HT20	MCS 0	-95
	MCS 7	-77
11n_HT40	MCS 0	-91
	MCS 7	-74
11ax_HE20	MCS 0	-95
	MCS 11	-66
11ax_HE40	MCS 0	-92
	MCS 11	-63

For 5GHz

Mode	Rate	Sensitivity (dBm)
802.11a	6 Mbps	-92
	54 Mbps	-76
11n_HT20	MCS 0	-91
	MCS 7	-74
11n_HT40	MCS 0	-89
	MCS 7	-71
11ac_VHT20	MCS 0	-92
	MCS 8	-70
11ac_VHT40	MCS 0	-89
	MCS 9	-66
11ac_VHT80	MCS 0	-86
	MCS 9	-62
11ax_HE20	MCS 0	-93
	MCS 11	-64
11ax_HE40	MCS 0	-90
	MCS 11	-61
11ax_HE80	MCS 0	-87
	MCS 11	-58

Aggregate Transmit Power

For 5GHz

Mode	Rate	Power (dBm)
802.11a	6 Mbps	25.7
	54 Mbps	23.8
802.11n_HT20	MCS 0	26.7
	MCS 7	24.1
802.11n_HT20	MCS 0	26.3
	MCS 7	23.9
802.11ac_VHT20	MCS 0	26.7
	MCS 8	23.7
802.11ac_VHT40	MCS 0	26.3
	MCS 9	
802.11ac_HT80	MCS 0	26.4
	MCS 9	22.7
802.11ax_HE20	MCS 0	25.8
	MCS 11	21.9
802.11ax_HE40	MCS 0	26.8
	MCS 11	21.2
802.11ax_HE80	MCS 0	27
	MCS 11	21.5

For 6GHz

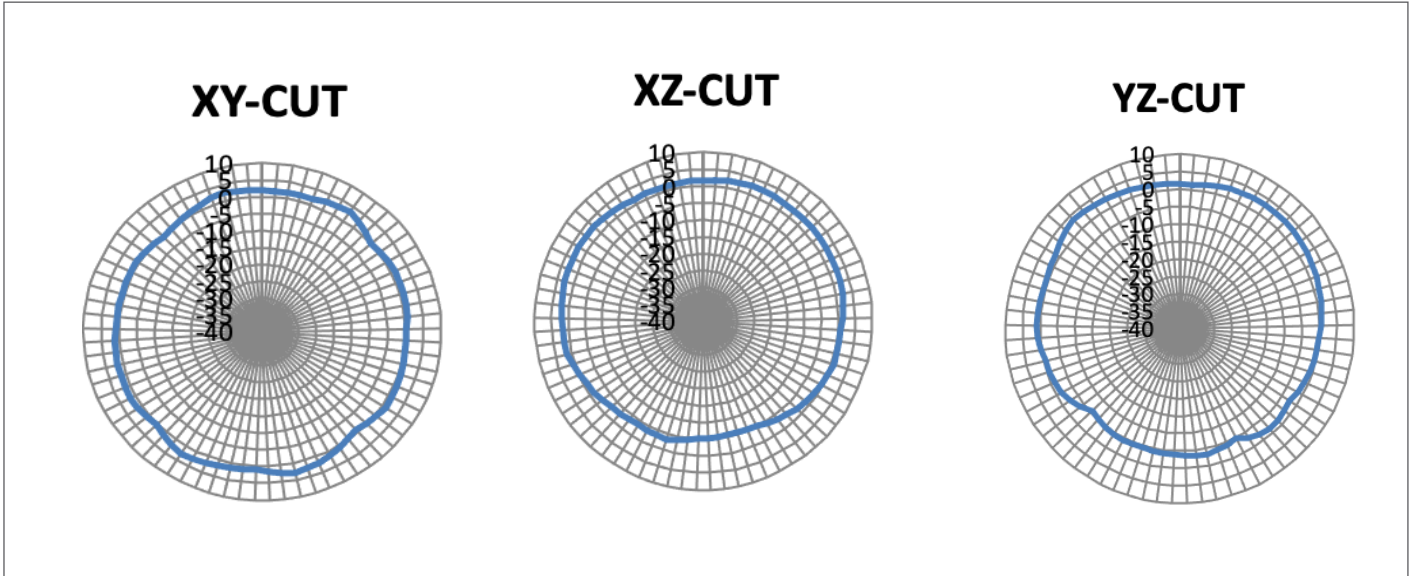
Mode	Rate	Power (dBm)
802.11ax_HE20	MCS 0	28
	MCS 11	24
802.11ax_HE40	MCS 0	28.1
	MCS 11	22.0
802.11ax_HE80	MCS 0	28.1
	MCS 11	21.5
802.11ax_HE160	MCS 0	28
	MCS 11	20.6

For 2.4GHz

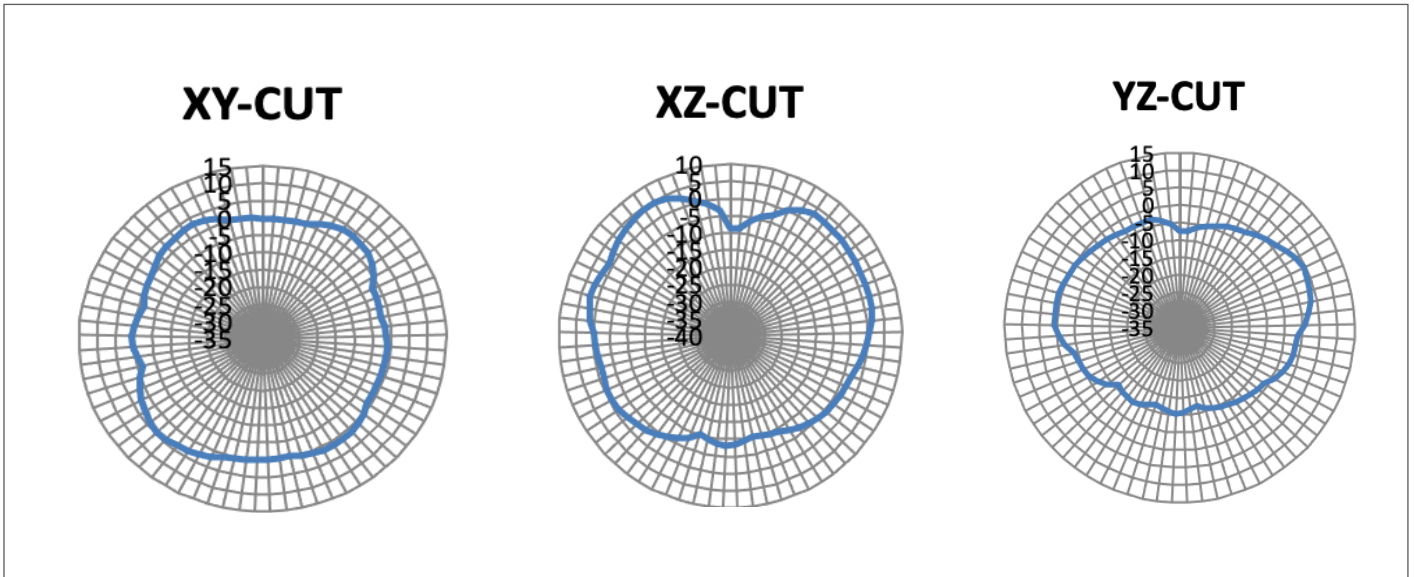
Mode	Rate	Power (dBm)
802.11b	1 Mbps	28.6
	11 Mbps	29
802.11g	6 Mbps	27.4
	54 Mbps	24.2
802.11n_HT20	MCS 0	28.7
	MCS 7	24.6
802.11n_HT40	MCS 0	27.5
	MCS 7	23.9
802.11ax_HE20	MCS 0	27.5
	MCS 11	22.1
802.11ax_HE40	MCS 0	28.2
	MCS 11	21.7

Radiation Pattern

Radio 1:
2.4GHz

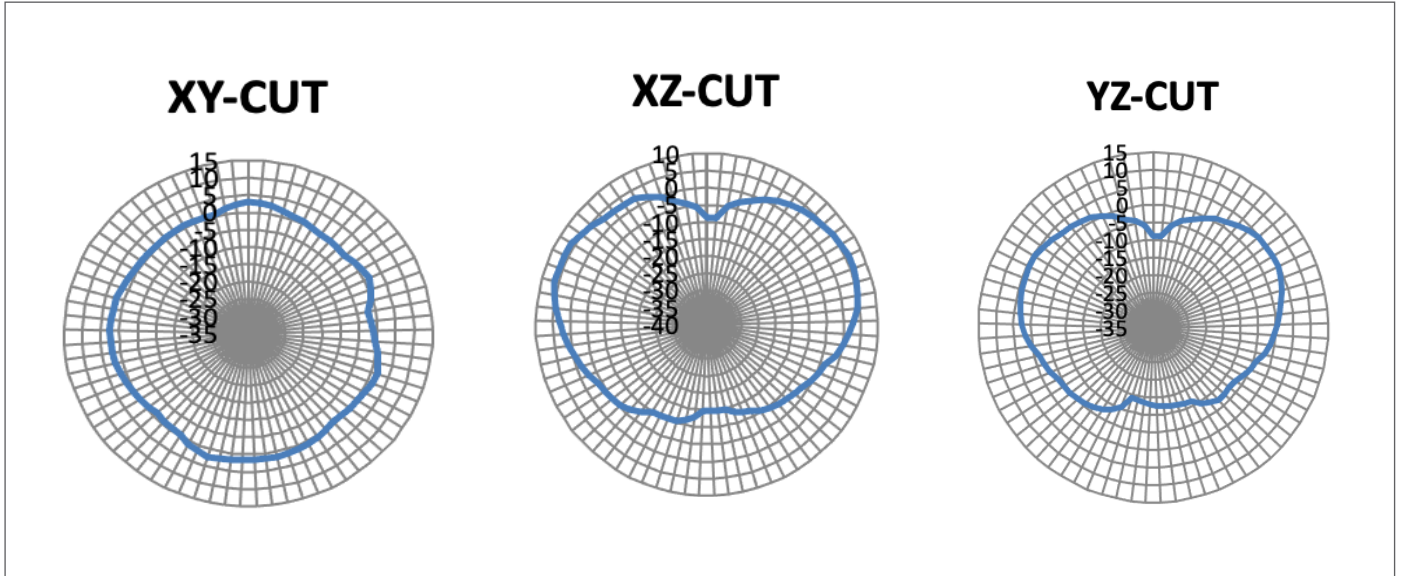


Radio 2:
5GHz

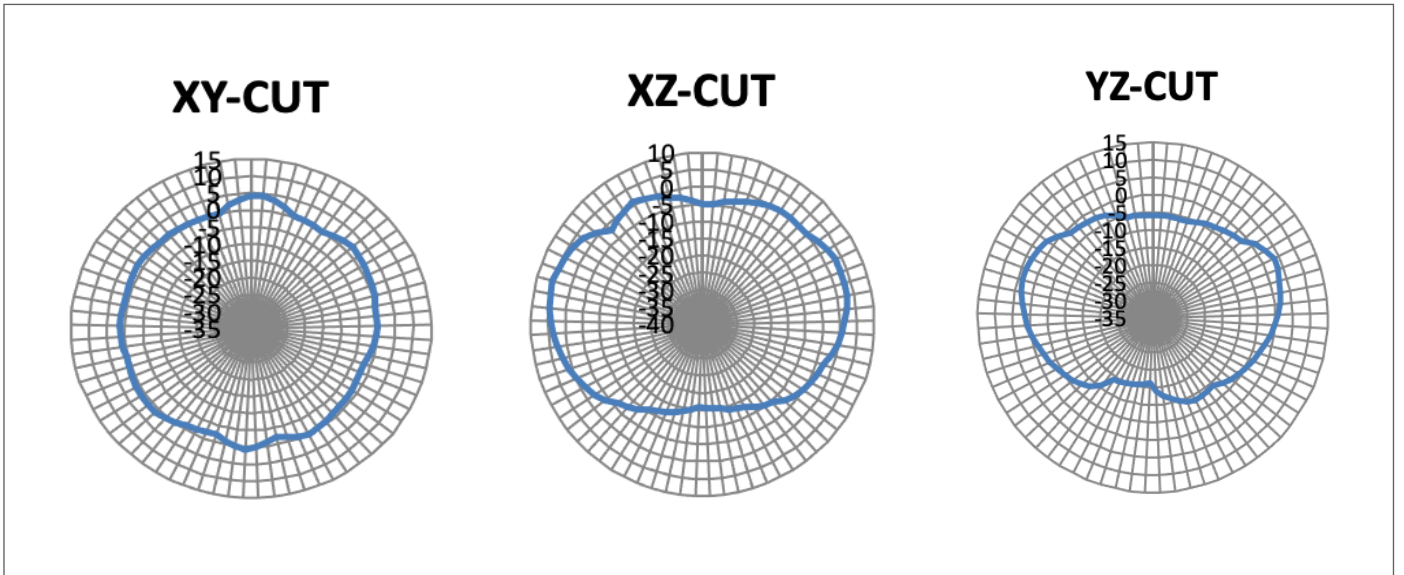


Radiation Pattern

Radio 3:
6GHz



Radio 3:
5GHz



Regulatory Specifications

RF and Electromagnetic Compatibility (EMC)

Country	Certification
USA	FCC Part 15.247, Part 15.249, Part 15.407, 15B
Canada	RSS-102, RSS-210, RSS-247, ICES-003
Europe	EN 300 328, EN 300 440, EN 301 893, EN 62311, EN 50385, EN 301 489-1, EN 55024, EN 55032, CISPR 24, CISPR 32 Countries covered under Europe certification: Austria, Belgium, Bulgaria, Croatia, Cyprus, Czechia, Denmark, Estonia, Finland, France, Germany, Greece, Hungary, Ireland, Italy, Latvia, Lithuania, Luxembourg, Malta, the Netherlands, Poland, Portugal, Romania, Slovakia, Slovenia, Spain, Sweden, United Kingdom.

*For complete country certification records, please visit the site: <https://www.arista.com/en/support/product-certificate>

Safety & Environmental

Country	Certification
USA, Canada	UL/cUL 60950; 62368-1, UL 2043
European Union (EU)	IEC 62368-1, UL-62368-1, EN-62368-1 2nd, IEC-60950-1
Taiwan	CNS 14336, CNS 15663 RoHS

Ordering Information

Access Point

Part Number	Description
AP-C360	C-360 tri-band 4x4 Wi-Fi 6E access point with internal antennas
AP-C360-SS-5Y	C-360 AP with 5 years bundled Cognitive Cloud SW subscription
AP-C360-SS-3Y	C-360 AP with 3 years bundled Cognitive Cloud SW subscription

Mounting Options

For details of mounting options, see the Access Points [Mounting Brackets Guide](#)

Power

Part Number	Description
PWR-AP-W4	Universal AC power supply for C-360, 12VDC, 3.3A

Headquarters

5453 Great America Parkway
Santa Clara, California 95054
408-547-5500

Support

support@arista.com
408-547-5502
866-476-0000

Sales

sales@arista.com
408-547-5501
866-497-0000

www.arista.com

ARISTA

October 1, 2021